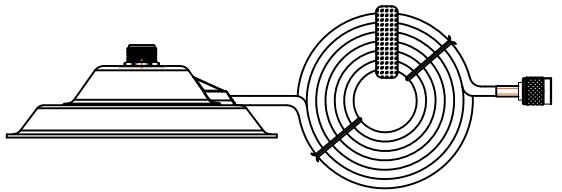
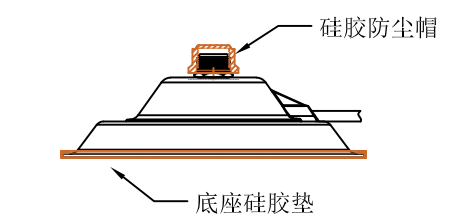


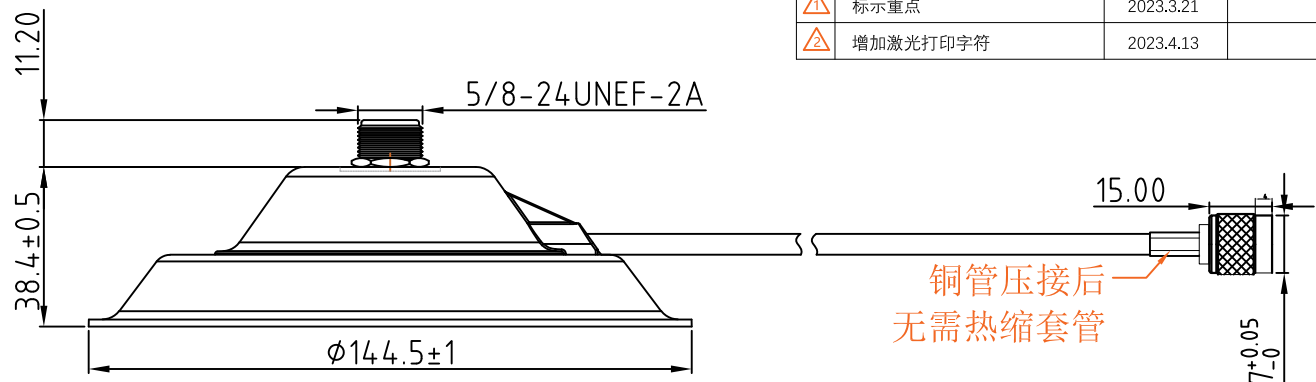
NO	Revision notes	Date	Designed by	Checked by
△1	标示重点	2023.3.21		king
△2	增加激光打印字符	2023.4.13		king



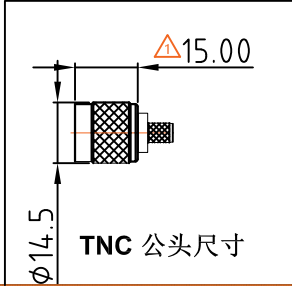
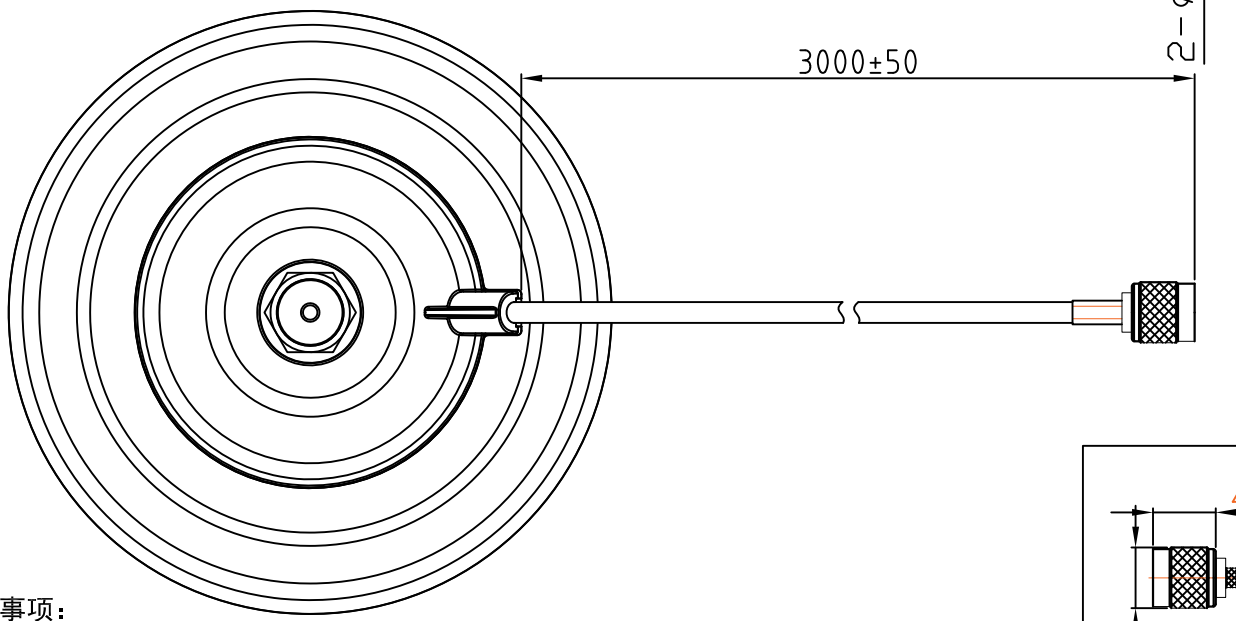
绕线方式：打圈
扎二条扎带与一条 魔术扎带, 魔术扎带毛面朝外



成品完成时, UHF连接器需带上硅胶防尘帽
底座需套上硅胶垫



铜管压接后
无需热缩套管



TNC 公头尺寸

注意事项:

1. TNC公头无需热缩套管, 铜管镀镍压六角, 负重6KG
2. TNC公头螺牙套长度15mm
3. 成品需套上硅胶防尘帽与底座防硅胶垫

NO	Name	Material	Finish	QTY
1	UHF 母头	Brass	Ni	1
2	UHF垫片24x16x1.0	Fe	Zinc	1
3	H19X2.5 螺母	Fe	Zinc	1
4	X145底座上盖	ABS	Black	1
5	X145底座下盖	ABS	Black	1
6	X145铁支架	Fe	Zinc	1
7	防水垫21x15.5x1.2	Silica	Black	1
8	支撑柱20x12	Fe	Ni	1
9	铆钉8.5x4.5	Fe	Ni	1
10	M3x8机牙大头螺丝	Fe	Ni	1
11	铁氧体100x50x12	铁氧体	Black	1
12	铝泊142.5x0.1带胶	铝	silver	1
13	硅胶垫145.9x3.4	Silica	Black	1
14	UHF母头胶塞	Silica	Black	1
15	RG58 Coax Cable 3050mm	PVC	Black	1
16	TNC Male 15mm螺牙	Brass	NI	1
17	魔术扎带双面	尼龙	Black	1



Tolerance	
.X	±0.1
.XX	±0.05
.x	±1°

DRAWN BY	Li	MATERIAL:	
CHECKED BY		FINISH:	Black
APPROVED BY	King	UNIT:	mm
DATE:	23.4.13	SCALE:	1/1
		REV:	2.0

PART NO: X145.C1.1.334

TITLE: 磁盘座RG58 3M带TNC 公头

RUNSHUN

Dongguan RunShun /www.rsantenna.com