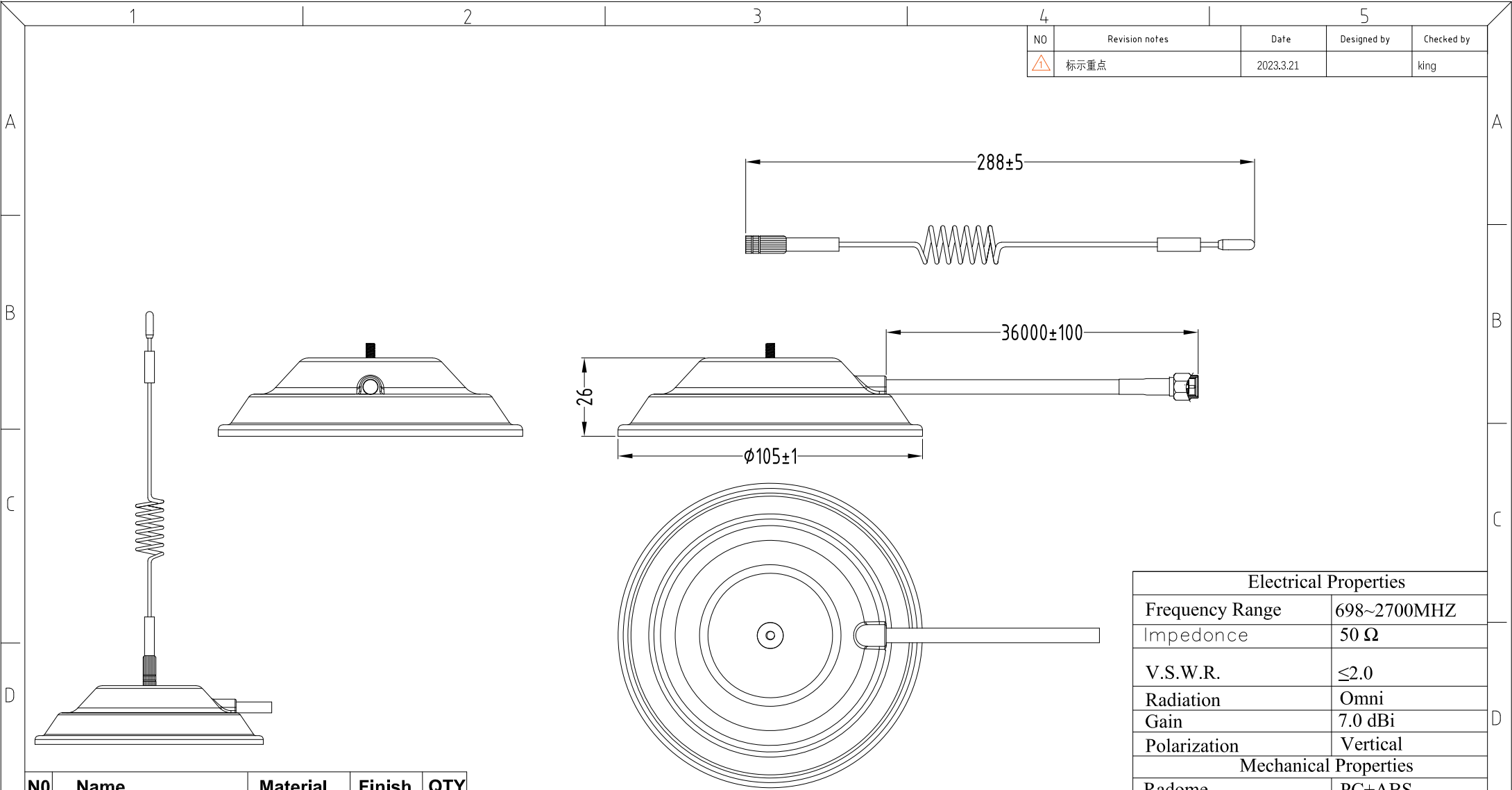


NO	Revision notes	Date	Designed by	Checked by
△	标示重点	2023.3.21		king



Electrical Properties	
Frequency Range	698~2700MHZ
Impedance	50 Ω
V.S.W.R.	≤2.0
Radiation	Omni
Gain	7.0 dBi
Polarization	Vertical
Mechanical Properties	
Radome	PC+ABS
Standard Connector	SMA Male
Waterprooflevel	IP65
Operating Temp	

NO	Name	Material	Finish	QTY
1	Housing	PC+ABS	Black	1
2	Antenna	Fe	Black	1
3	Shaft	Brass	Ni	1
4	Magnet		Black	1
5	Sticker	PET	Black	1
6	Sheet metal	Fe	Zinc	1
7	SMA Male Connector	Brass	Gold	1
8	CFD195 Cable	PVC	Black	1
9	Heat shrinkable tube	PE	Black	1

THIRD ANGLE PROJECTION Tolerance . X ±0.1 . XX ±0.05 . x ±1°	DRAWN BY	Li	MATERIAL:		PART NUMBER	X105.C1.1.334
	CHECKED BY		FINISH:	Black	TITLE:	4G LTE Magnetic base Antenna
	APPROVED BY	King	UNIT:	mm	RUNSHUN Dongguan RunShun /www.rsantenna.com	
	DATE:	23.8.2	SCALE:1/1	REV1.0		