

1 2 3 4 5

A

B

C

D

E

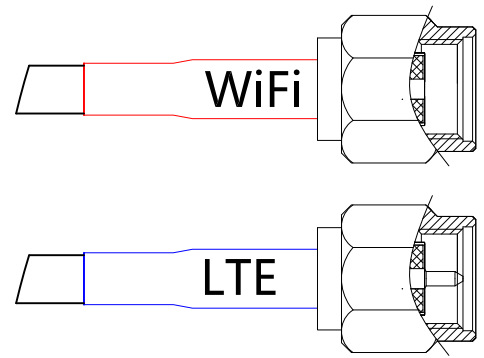
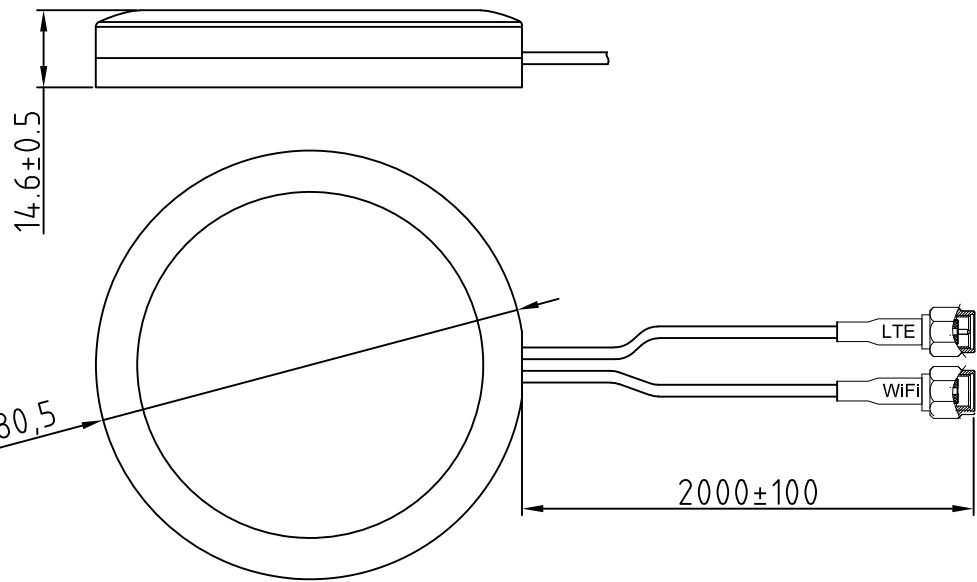
A

B

C

D

E

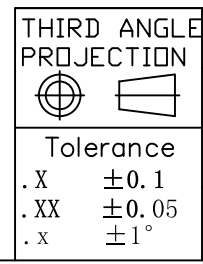


LTE:Blue Shrink tube  
WiFi :Red Shrink tube

Electrical Properties	
Frequency Range	1x 698~2700MHZ 1x2.4~5.9GHz
Impedance	50 Ω
V.S.W.R.	LTE:≤3.0 WiFi≤2.0
Radiation	Omni
Gain	LTE:3.0dBi WiFi:3.0 dBi
Polarization	Vertical
Mechanical Properties	
Radome	ABS
Standard Connector	SMA MALE
Waterprooflevel	IP65
Operating Temp	-φ40°~ +80°

BOM

NO	Name	Material	Finish	QTY
1	Antenna Housing	ABS	BLACK	1
2	SMA Connector	BRASS	GOLD	2
3	LTE Antenna	FR4	Black	1
4	WiFi Antenna	FR4	Black	1
5	RS100 Cable(WiFi)	PVC	Black	1
6	RS100 Cable(LTE)	PVC	Black	1
7	magnetism	NdFeB	Silver	1
8	Heat shrink tube(LTE)	PE	Blue	1
9	Heat shrink tube(WiFi)	PE	Red	1
10	paste	PET	Black	1



DRAWN BY	HZH	MATERIAL:	
CHECKED BY		FINISH:	BLACK
APPROVED BY	King	UNIT:	mm
DATE:	23. 3. 9	SCALE:	1/1

PART NO:	P80X.M0.2.333
TITLE:	LTE WiFi 2-in-1 Antenna



1 2 3 4 5