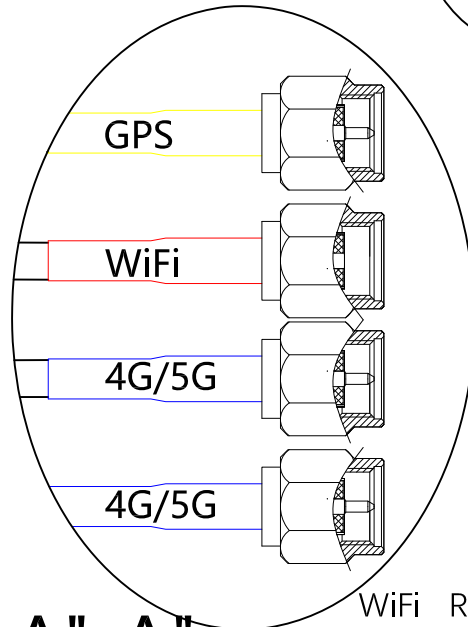
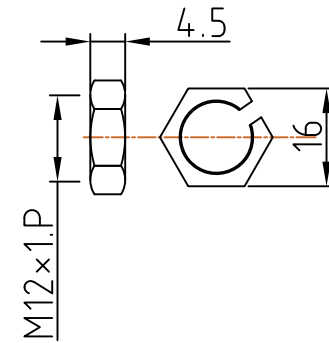
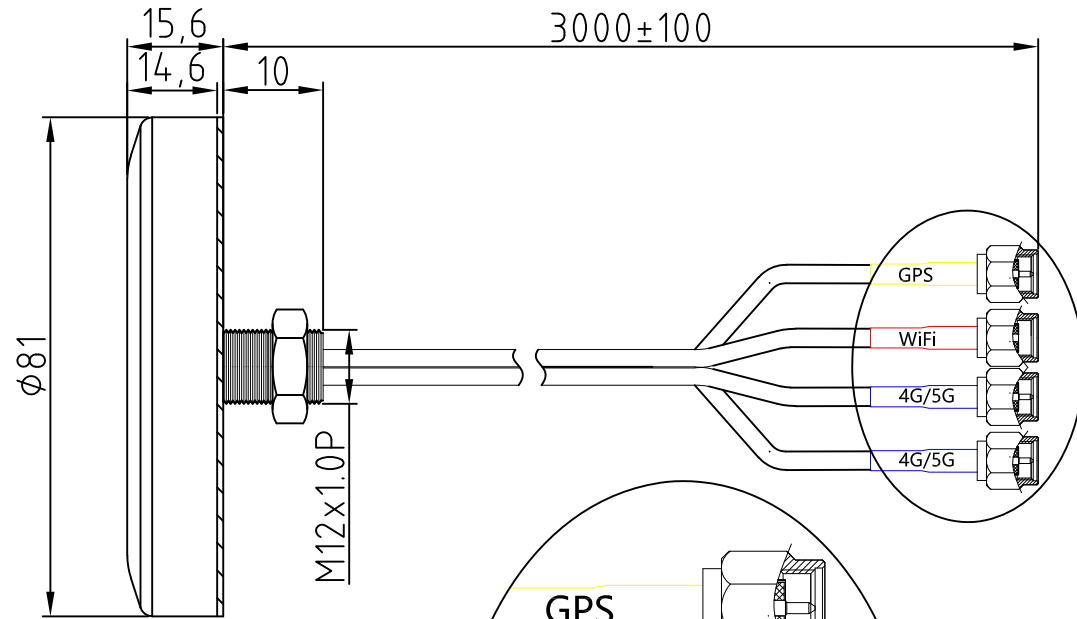


NO	Revision notes	Date	Designed by	Checked by
△	变更LOGO	2023.3.20	Hu	king



Electrical Properties	
Frequency Range	1x 2.4~6GHz 1x 698~4400MHz 1x 1562~1612MHz
Impedance	50 Ω
V.S.W.R.	WiFi ≤2.0 GPS ≤2.0 LTE ≤3.5
Radiation	Omni
Gain	WiFi:2.0 dBi GPS:28 dBi 4G/5G:2.0 dBi
Polarization	Vertical
Mechanical Properties	
Radome	ABS
Standard Connector	SMA
Waterprooflevel	IP65
Operating Temp	-40°~+85°


A"-A"
WiFi RED Shrink tube
GPS RTK yellow Shrink tube
4G/5G Blue Shrink tube

BOM

NO	Name	Material	Finish	QTY
1	Housing	ABS	BLACK	1
2	RG174 Cable for WiFi	PVC	BLACK	1
3	RG174 Cable for GPS	PVC	BLACK	1
4	RG174 Cable for 4G/5G	PVC	BLACK	2
5	WiFi Antenna			1
6	GPS Antenna			1
7	4G/5G Antenna			2
8	RP-SMA Male for WiFi	BRASS	GOLD	1
9	SMA Male for GPS	BRASS	GOLD	1
10	SMA Male for 4G/5G	BRASS	GOLD	2
11	Heat shrink tube	PE	BLACK	1
12	Heat shrink tube for WiFi	PE	RED	1
13	Heat shrink tube for 4G/5G	PE	BLUE	2
14	Heat shrink tube for GPS	PE	YELLOW	1
15	NUT	BRASS	N/A	1
16	Screw	BRASS	N/A	1
17	Waterproof pad	Rubber	BLACK	1



Tolerance	
.X	±0.1
.XX	±0.05
.x	±1°

DRAWN BY	li	MATERIAL:		PART NO:	M80X.M1.4.333
CHECKED BY		FINISH:	BLACK	TITLE:	WiFi+GPS+4G 5G 4-in-1 Antenna
APPROVED BY	King	UNIT:	mm	 Dongguan Run Shun /www.rsantenna.com	
DATE:	23.10.23	SCALE:	1/1		