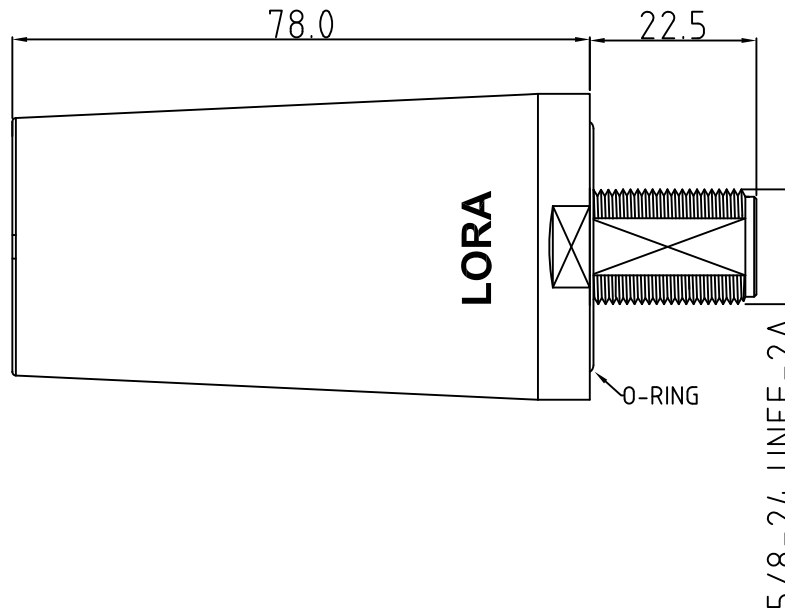
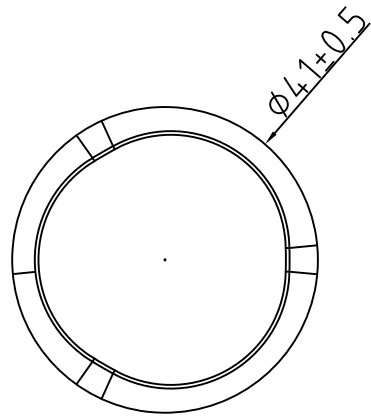
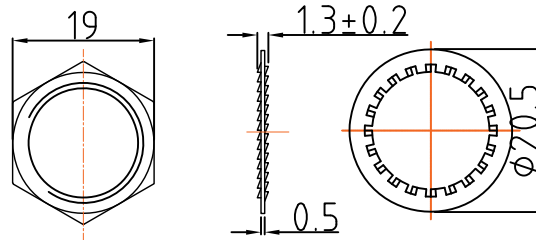
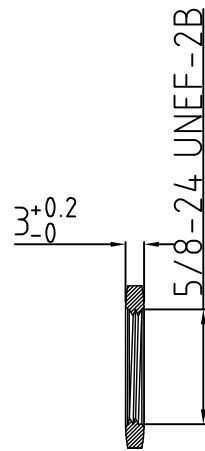


NO	Revision notes	Date	Designed by	Checked by
△	Laser Printing	23.5.17	Hu	King



~4.0
~15
LORA △
Laser printing "LORA" Size



Electrical Properties	
Frequency Range	868~960MHz
Impedance	50 Ω
V.S.W.R.	≤2.0
Radiation	Omni
Gain	3.0dBi
Polarization	Vertical
Mechanical Properties	
Radome	PC+ABS
Standard Connector	N Female
Waterproof Level	IP68
Operating Temp	-40°~+85°

BOM				
NO	Name	Material	Finish	QTY
1	Antenna Housing	PC+ABS	Black	1
2	N Female	Brass	Ni	1
3	Antenna Bottom	SUS304		1
4	Washer	Brass	Ni	1
5	Nut	Brass	Ni	1
6	O-Ring	NBR	Red	1
7	O-Ring	NBR	Black	2

THIRD ANGLE PROJECTION Tolerance .X ±0.1 .XX ±0.05 .x ±1°	DRAWN BY	HZH	MATERIAL:	Black	PART NO:	D720.I1.0.999
	CHECKED BY		FINISH:		TITLE:	D720 LORA ANTENNA
	APPROVED BY	King	UNIT:	mm	 Dongguan RunShun/www.rsantenna.com	
	DATE:	23.5.17	SCALE:	1/1		