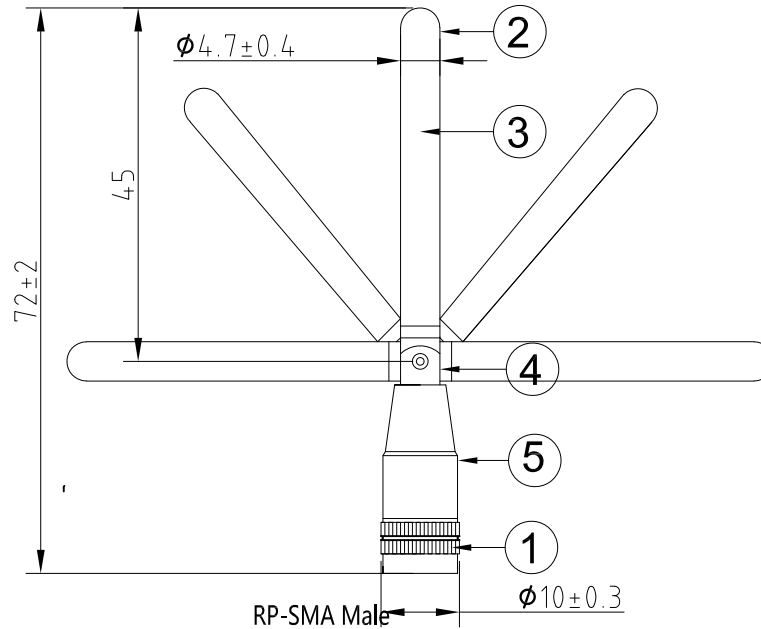


PE BAG:60*40mm



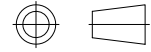
Ground 100*100MM

Electrical Properties	
Frequency Range	2.4GHz~2.5GHz 5.15~7.125GHz
Impedance	50 Ω
Radiation	Omni
Gain	3.0dBi
Polarization	Omni
Mechanical Properties	
Whip	POM
Standard Connector	SMA
Waterproof Level	IP66
Operating Temp	-40 $^{\circ}$ ~+105 $^{\circ}$

BOM

NO	Name	Material	Finish	QTY
1	SMA Male	BRASS	Ni	1
2	WHIP	POM	Black	1
3	Antenna	Copper		1
4	Base	BRASS	Ni	1
5	SMA Housing	ABS	Black	1

THIRD ANGLE PROJECTION



Tolerance
 .X ± 0.1
 .XX ± 0.05
 .x $\pm 1^{\circ}$

DRAWN BY	li	MATERIAL:		PART NO:	D410.W3.0.991
CHECKED BY		FINISH:	Black	TITLE:	RP-SMA (M) WiFi Antenna
APPROVED BY	King	UNIT:	mm	 Dongguan RunShun/www.rsantenna.com	
DATE:	21.7.27	SCALE:	1/1		