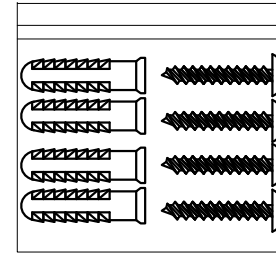
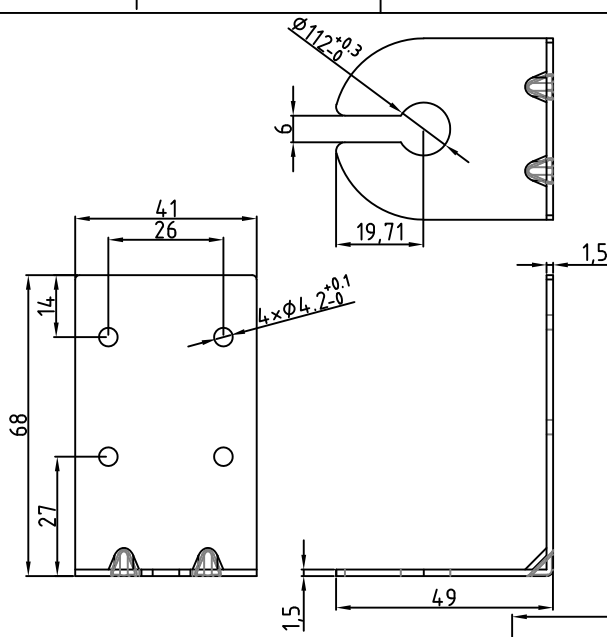
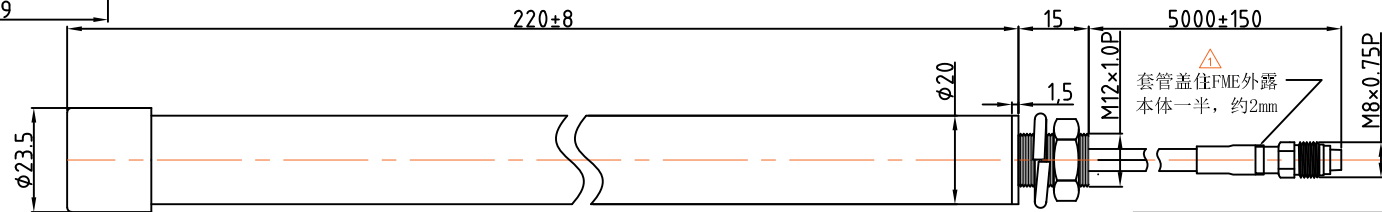
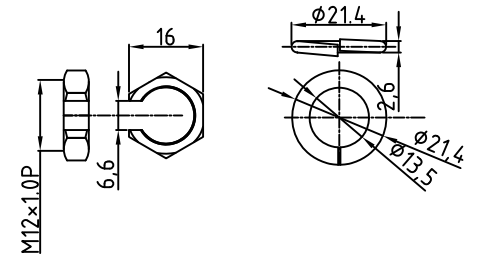


NO	Revision notes	Date	Designed by	Checked by
△	热缩套管加长盖住FME本体	2022.9.7		King



Wall Mounting Screw 4x25L x4

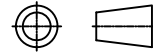


BOM

NO	Name	Material	Finish	QTY
1	Connector	FME	NI	1
2	Antenna mast	glass steel pipe	BLACK	1
3	Antenna cover	ABS	BLACK	1
4	Screw	Brass	NI	1
5	NUT	Brass	NI	1
6	WASHER	FE	NI	1
7	RG58 Cable	PVC	BLACK	1
8	Bracket	AL (共用D720)	Black	1
9	Shrink Tuge	PE	BLACK	1
10	NUT 4*25	SUS	Silver	4
11	Wall	PP	White	4

Electrical Properties	
Frequency Range	698~2700MHz
Impedance	50 Ω
V.S.W.R.	≤2.5
Radiation	Omni
Gain	6.5dBi
Polarization	Vertical
Mechanical Properties	
Whip	glass steel pipe
Standard Connector	FME Connector
Weight	- g(est)
Operating Temp	-40°~ +80°

THIRD ANGLE PROJECTION



Tolerance
 .X ±0.1
 .XX ±0.05
 .x ±1°

DRAWN BY	HZH	MATERIAL:		PART NO:	M220.C1.1.333 (REV B)
CHECKED BY		FINISH:	BLACK	TITLE:	4G LTE Antenna
APPROVED BY	King	UNIT:	mm	 RUNSHUN Dongguan RunShun/www.rsantenna.com	
DATE:	22.9.7	SCALE:	1/1		