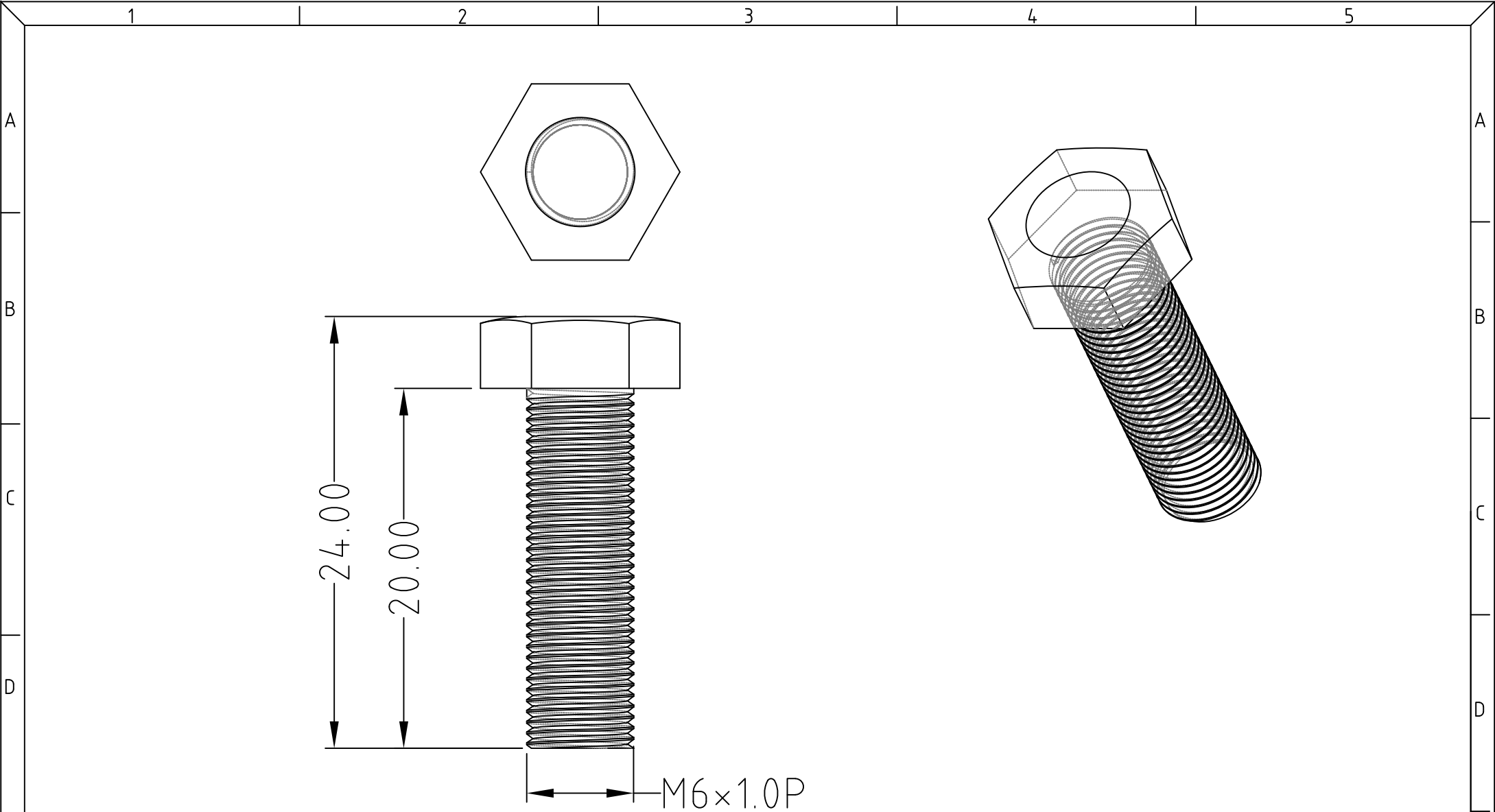


重点检验

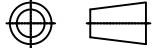

- 1.表面不可有明显的刮伤，碰伤
- 2.冲压断面处不可刮手
- 3.外观为银白色（比对样品）
- 4.盐雾测试需通过144H无发黑，发黑，氧化，生锈等

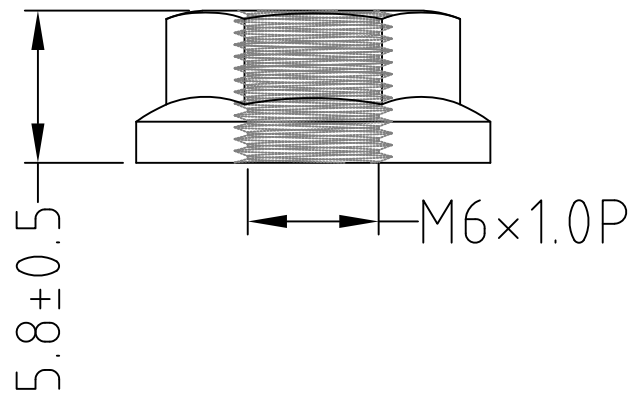
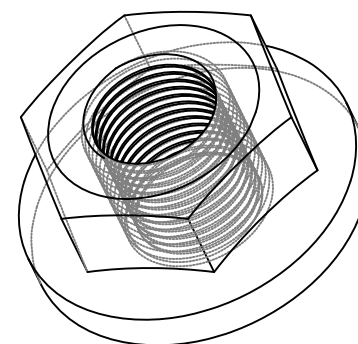
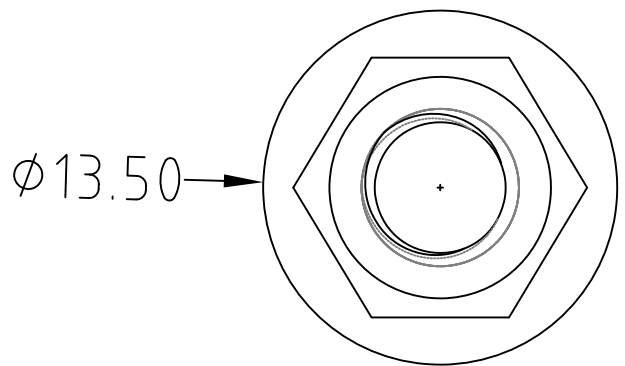
THIRD ANGLE PROJECTION  Tolerance .X ±0.1 .XX ±0.05 .x ±1°	DRAWN BY	li	MATERIAL:	AL	PART NO:	02STN1065
	CHECKED BY		FINISH:	喷沙氧化	TITLE:	太阳能支架
	APPROVED BY	King	UNIT:	mm	 RUNSHUN Dongguan RunShun /www.rsantenna.com	
	DATE:	21. 12. 27	SCALE:1/1	REV 1		



重点检验

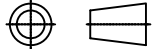

- 1.表面不可有明显的刮伤，碰伤
- 2.断面处不可刮手
- 3.外观为银白色（比对样品）
- 4.盐雾测试需通过144H无发黑，发黑，氧化，生绣等

THIRD ANGLE PROJECTION  Tolerance .X ±0.1 .XX ±0.05 .x ±1°	DRAWN BY	HZH	MATERIAL:	SUS	PART NO:	01NUN6241
	CHECKED BY		FINISH:	钝化	TITLE:	SUS M6*24螺丝
	APPROVED BY	King	UNIT:	mm	 Dongguan RunShun/www.rsantenna.com	
	DATE:	21. 12. 27	SCALE:	1/1		

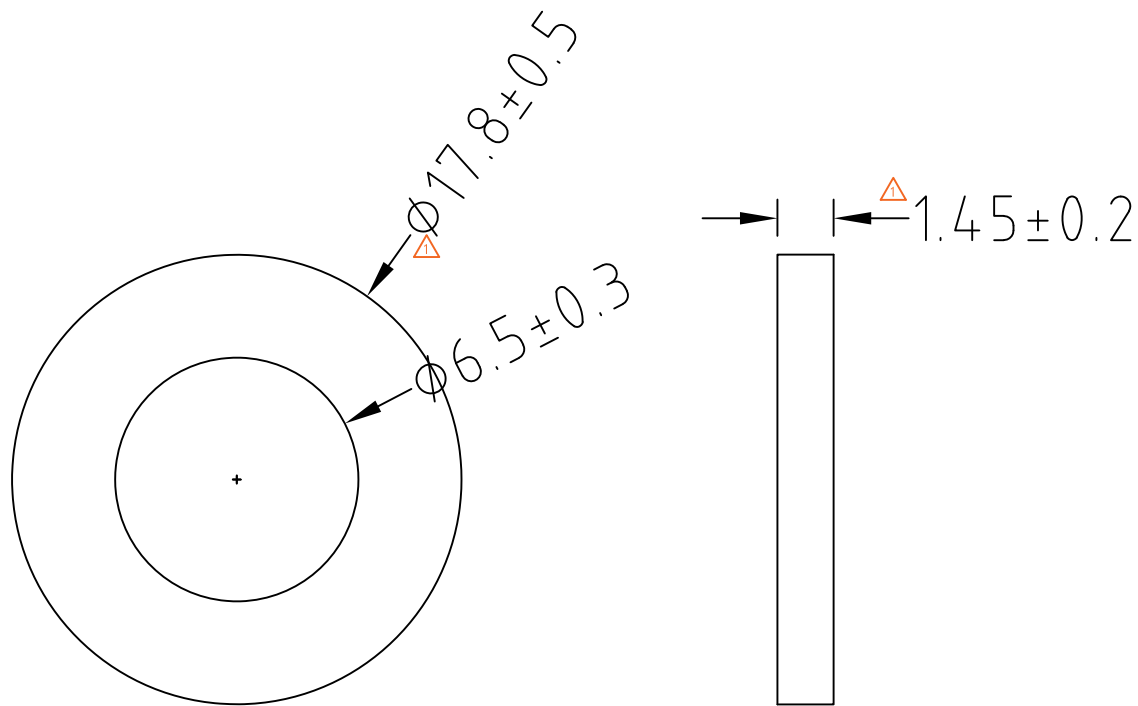


重点检验

- 1.表面不可有明显的刮伤，碰伤
- 2.断面处不可刮手
- 3.外观为银白色（比对样品）
- 4.盐雾测试需通过144H无发黑，发黑，氧化，生锈等

THIRD ANGLE PROJECTION  Tolerance .X ±0.1 .XX ±0.05 .x ±1°	DRAWN BY	HZH	MATERIAL:	SUS	PART NO:	01NUN65X1
	CHECKED BY		FINISH:	钝化	TITLE:	SUS M6*5.8法兰螺母
	APPROVED BY	King	UNIT:	mm	 Dongguan RunShun/www.rsantenna.com	
	DATE:	21. 12. 27	SCALE:	1/1		

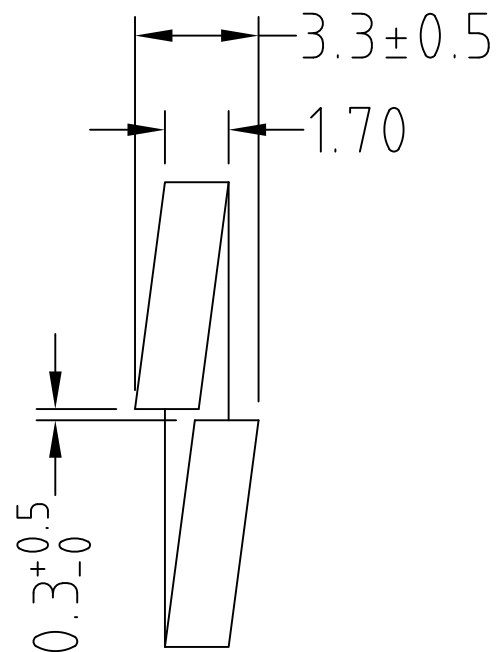
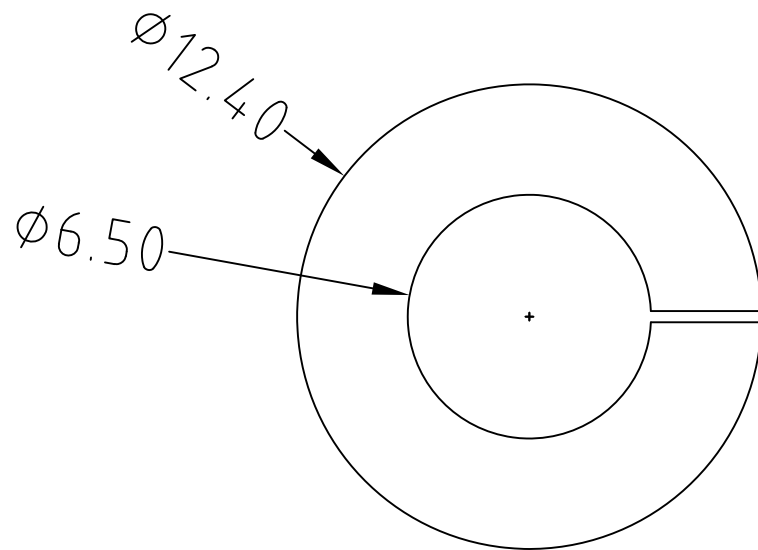
NO	Revision notes	Date	Designed by	Checked by
△	更改外形尺寸与厚度	2022.4.6		king



重点检验

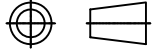

- 1.表面不可有明显的刮伤，碰伤
- 2.断面处不可刮手
- 3.外观为银白色（比对样品）
- 4.盐雾测试需通过144H无发黑，发黑，氧化，生锈等

THIRD ANGLE PROJECTION 	DRAWN BY	HZH	MATERIAL:	SUS	PART NO:	01WSN61X1 (REV2.0)
	CHECKED BY		FINISH:	钝化	TITLE:	SUS M6华司
Tolerance .X ±0.1 .XX ±0.05 .x ±1°	APPROVED BY	King	UNIT:	mm	 Dongguan RunShun/www.rsantenna.com	
	DATE:	22.4.6	SCALE:	1/1		



重点检验

- 1.表面不可有明显的刮伤，碰伤
- 2.断面处不可刮手
- 3.外观为银白色（比对样品）
- 4.盐雾测试需通过144H无发黑，发黑，氧化，生锈等
- 5."C"型开口处不可重叠，需依图保留间隙

THIRD ANGLE PROJECTION  Tolerance .X ±0.1 .XX ±0.05 .x ±1°	DRAWN BY	HZH	MATERIAL:	SUS	PART NO:	01WSN62X1
	CHECKED BY		FINISH:	钝化	TITLE:	SUS M6开口垫片
	APPROVED BY	King	UNIT:	mm	 Dongguan RunShun/www.rsantenna.com	
	DATE:	21. 12. 27	SCALE:	1/1		

1

2

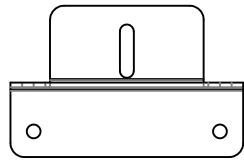
3

4

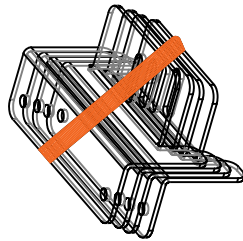
5

A

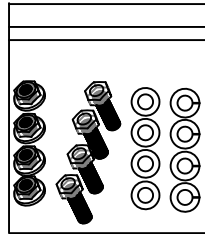
A



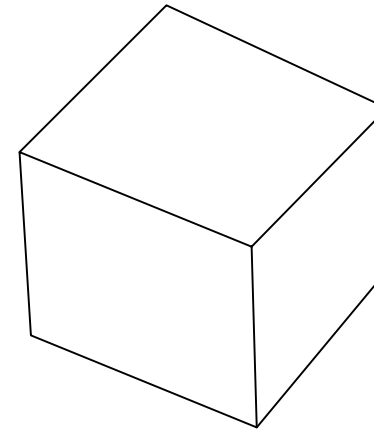
检验OK支架



4PCS叠成一扎，中间中玻纤胶带粘扎整



4PCS M6法兰螺母
4PCS M6*24螺丝
4PCS M6华司
4PCS M6开口垫片 } 装入透明白边夹链袋



内盒尺寸: 11*78*4.5CM

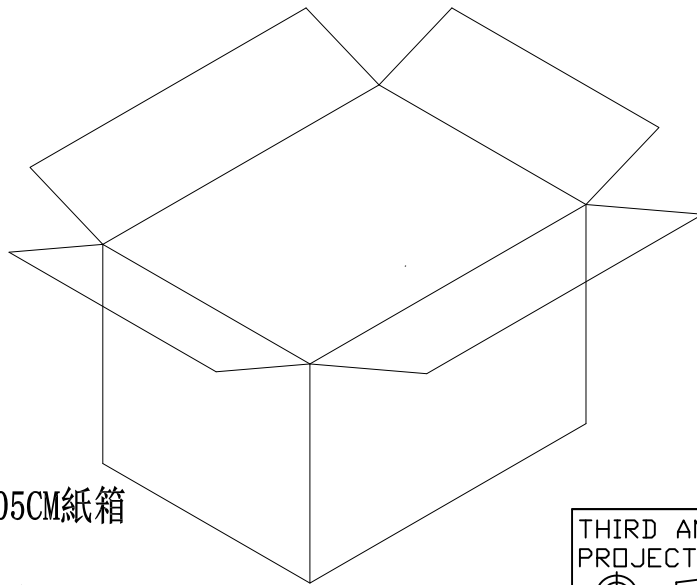
每个内盒装入一扎支架，一包螺丝

B

B

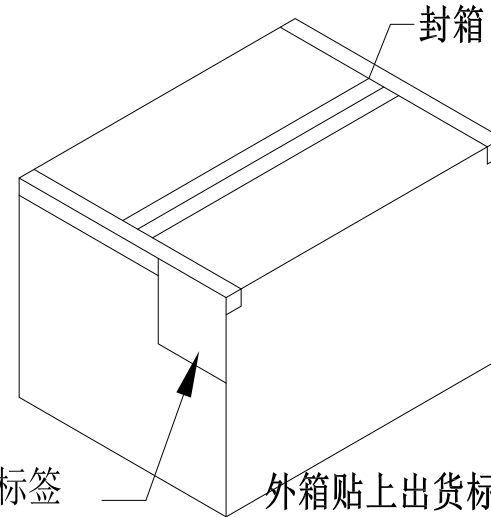
C

C



540*340*205CM纸箱

材质:K=K
每箱装入64套



封箱

此处贴标签

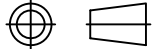

外箱贴上出货标签，每箱放入二包干燥剂

D

D

E

E

THIRD ANGLE PROJECTION  Tolerance .X ±0.1 .XX ±0.05 .x ±1°	DRAWN BY	li	MATERIAL:		PART NO:	02STN1065
	CHECKED BY		FINISH:		TITLE:	包装图
	APPROVED BY	King	UNIT:	mm	 RUNSHUN Dongguan RunShun /www.rsantenna.com	
	DATE:	21. 12. 27	SCALE:1/1	REV 1		

1

2

3

4

5