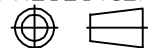


Electrical Properties	
Frequency Range	2* 600~3800MHZ
	2* 2.4~2.5GHZ
	5.15~5.85GHZ
	1* 1575.42~1602MHZ
Impedance	50 Ω
V.S.W.R.	5G ≤3.0
	WIFI ≤2.0
	GPS ≤2.0
Radiation	Omni
Gain	5G:7±1DBi
	WIFI:5±1DBi
	GPS:28±1DBi
Polarization	Vertical
Mechanical Properties	
Whip	PC+ABS
Standard Connector	SMA
Waterprooflevel	IP68
Operating Temp	-φ40°~+80°

BOM

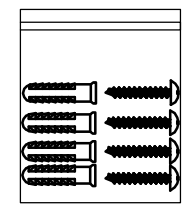
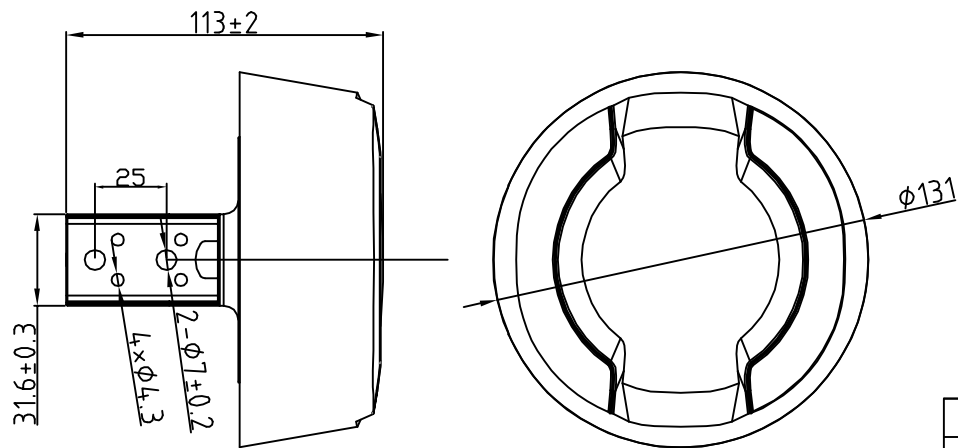
NO	Name	Material	Finish	QTY
1	Top	ABS+PC	BLACK	1
2	Bottom	ABS+PC	BLACK	1
3	LMR100 Coaxial cable	PE	BLACK	1
4	SMA Male	Brass	GOLD	5
5	Antenna			5
6	Screw installation	ABS+PC	BLACK	1
7	NUT	ABS+PC	BLACK	1
8	Shrink tube	PE		5
9				

THIRD ANGLE PROJECTION

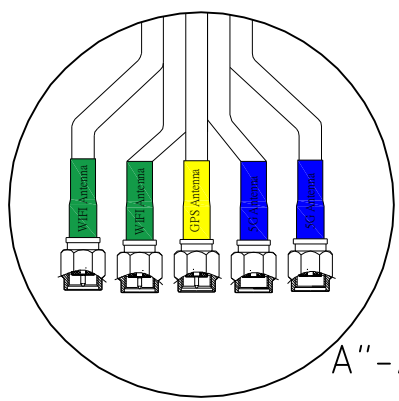
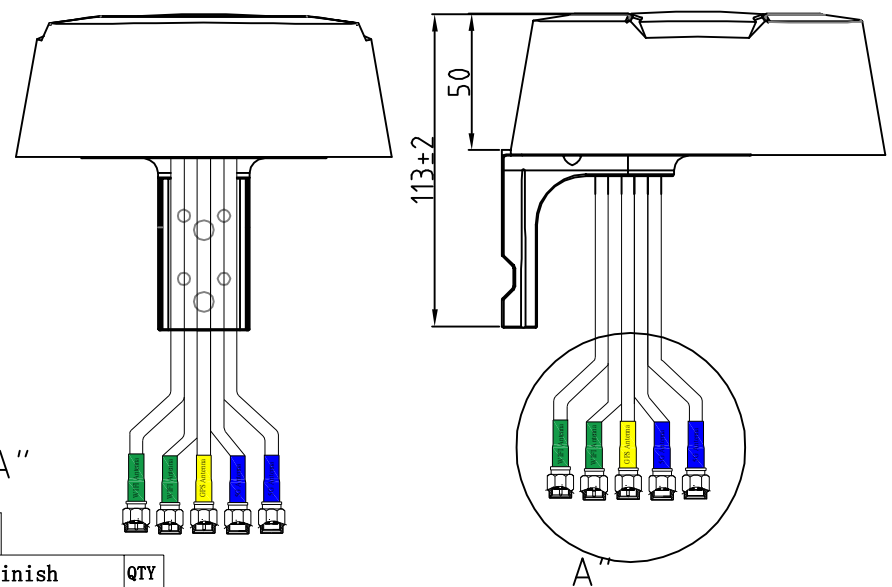


Tolerance
 .X ±0.1
 .XX ±0.05
 .x ±1°

DRAWN BY	li	MATERIAL:		PART NO:	M131.M1.5.999
CHECKED BY		FINISH:	BLACK	TITLE:	5G+WIFI+GPS 5 in 1
APPROVED BY	King	UNIT:	mm	 RUNSHUN Dongguan Run Shun Technology CO.,Ltd	
DATE:	20.6.3	SCALE:	1/1		



Wall Mounting x4
Screw 4x25L x4



Electrical Properties	
Frequency Range	2* 600~3800MHZ
	2* 2.4~2.5GHZ
	5.15~5.85GHZ
	1* 1575.42~1602MHZ
Impedance	50 Ω
V.S.W.R.	5G ≤3.0
	WIFI ≤2.0
	GPS ≤2.0
Radiation	Omni
Gain	5G:7±1DBi
	WIFI:5±1DBi
	GPS:28±1DBi
Polarization	Vertical
Mechanical Properties	
Whip	PC+ABS
Standard Connector	SMA
Waterprooflevel	IP68
Operating Temp	-φ40°~+80°

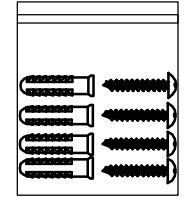
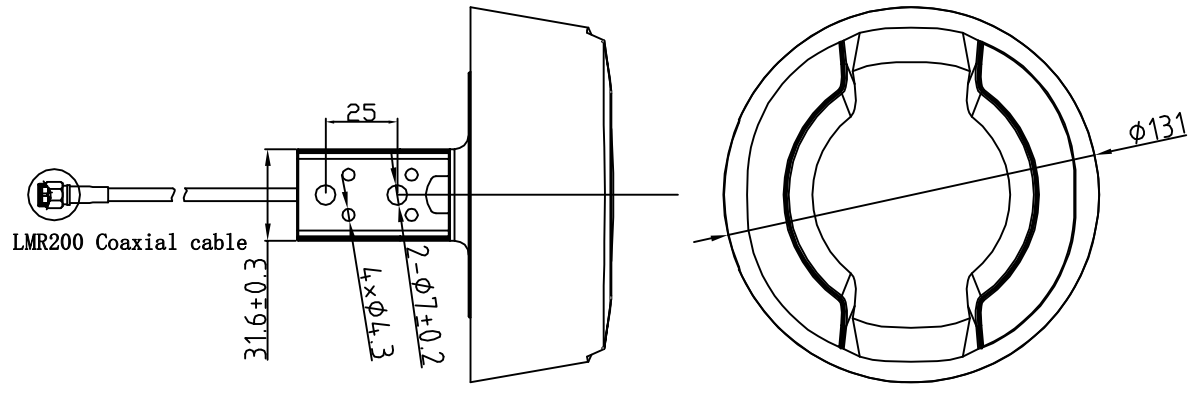
BOM

NO	Name	Material	Finish	QTY
1	Top	ABS+PC	BLACK	1
2	Bottom	ABS+PC	BLACK	1
3	LMR100 Coaxial cable	PE	BLACK	1
4	SMA Male	Brass	GOLD	5
5	Antenna			5
6	Bracket installation	ABS+PC	BLACK	1
7	Wall maunting	PA6	WHITE	4
8	Screw	SUS304	N. A	4
9	Shrink tube	PE		5

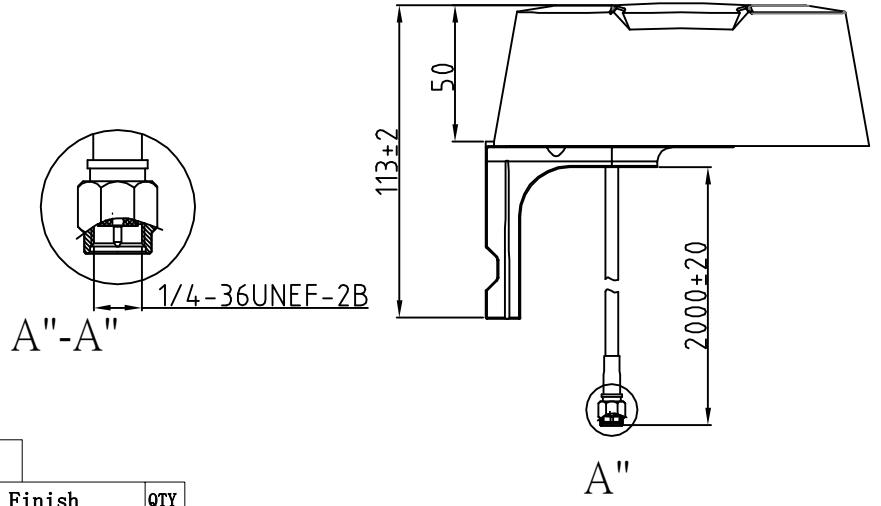
THIRD ANGLE PROJECTION

Tolerance
 . X ±0.1
 . XX ±0.05
 . x ±1°

DRAWN BY	li	MATERIAL:		PART NO:	M132. M1. 5. 999
CHECKED BY		FINISH:	BLACK	TITLE:	5G+WIFI+GPS 5 in 1
APPROVED BY	King	UNIT:	mm	 Dongguan Run Shun Technology CO.,Ltd	
DATE:	20. 6. 3	SCALE:	1/1		



Wall Mounting x4
Screw 4x25L x4



Electrical Properties	
Frequency Range	600~3800MHZ
Impedance	50 Ω
V.S.W.R.	≤3.5
Radiation	Omni
Gain	7±1dbi
Polarization	Vertical
Mechanical Properties	
Whip	PC+ABS
Standard Connector	SMA(Male)
Waterprooflevel	IP68
Operating Temp	-φ40°~+80°

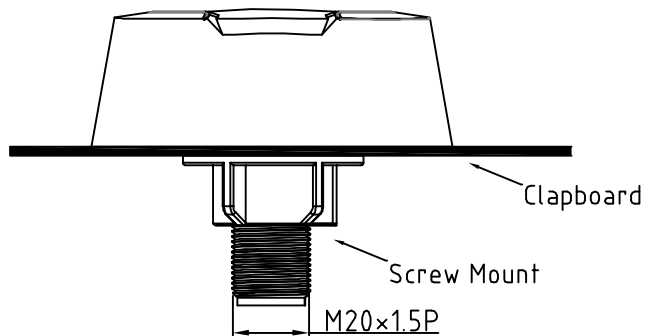
BOM

NO	Name	Material	Finish	QTY
1	Top	ABS+PC	BLACK	1
2	Bottom	ABS+PC	BLACK	1
3	LMR200 Coaxial cable	PE	BLACK	1
4	SMA Male	Brass	GOLD	1
5	Antenna			1
6	SUPPORT	ABS+PC	BLACK	1
7	Wall maunting	PA6	WHITE	4
8	Screw	SUS304	N. A	4
9				

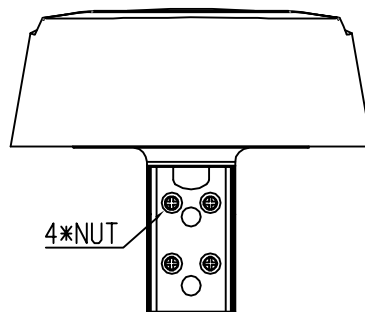
THIRD ANGLE PROJECTION 	DRAWN BY	li	MATERIAL:	
	CHECKED BY		FINISH:	BLACK
	APPROVED BY	King	UNIT:	mm
	DATE:	20. 6. 3	SCALE:	1/1

PART NO:	M132. C2. 1. 999
TITLE:	5G SUB Antenna

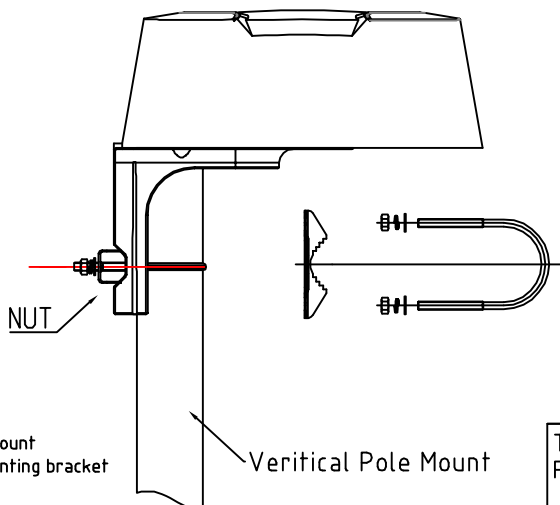
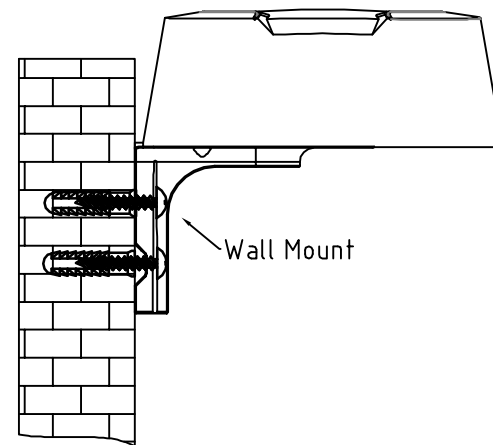




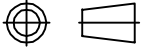

Screw Mount
Screw Mounting bracket
(Included)



Wall Mount
Pole / Wall Mounting bracket
(Included)



Veritcal Pole Mount
Pole / Wall Mounting bracket
(Included)

THIRD ANGLE PROJECTION 	DRAWN BY	li	MATERIAL:		PART NO:	M131. M1. 5. 999
	CHECKED BY		FINISH:		TITLE:	Installation methods
Tolerance . X ±0.1 . XX ±0.05 . x ±1°	APPROVED BY	King	UNIT:	mm	 RUNSHUN Dongguan Run Shun Technology CO.,Ltd	
	DATE:	20. 6. 3	SCALE:	1/1		