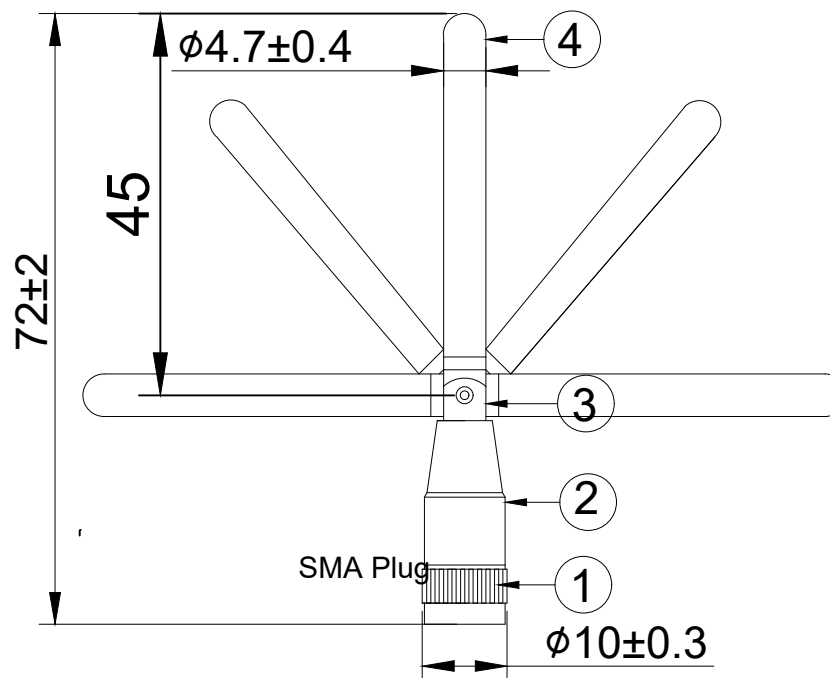


6CM*9CM夾鏈袋單個裝入



ENVIRONMENTAL

Temperature Range

Humidity % RH

ELECTRICAL

Impedance 50 Ω

Polarization Linear

Radiation Pattern Omnidirectional

Input Power 10W

MECHANICAL

Antenna Length 72mm

Antenna Diameter 10mm

Casing Pom

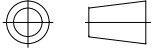

Connector SMA (M)

Weight 8.2g

FREQUENCY 3G&4G

V. S. W. R ≤ 3.0

Impedance 50 Ω

THIRD ANGLE PROJECTION  Tolerance .X ± 0.1 .XX ± 0.05 .x $\pm 1^\circ$	DRAWN BY li	MATERIAL:	PART NO: D410. C1. 0. 999	
	CHECKED BY	FINISH:	TITLE: 3G/4G Antenna	
	APPROVED BY King	UNIT: mm	 RS Technology CO., Ltd Dongguan Run Shun / Taiwan Dingyang	
	DATE: 17. 4. 18	SCALE: 1/1		